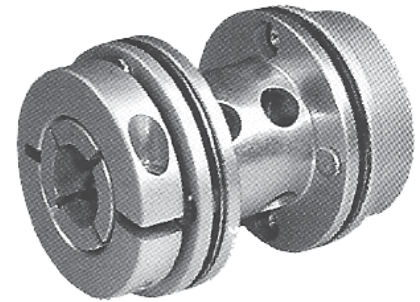
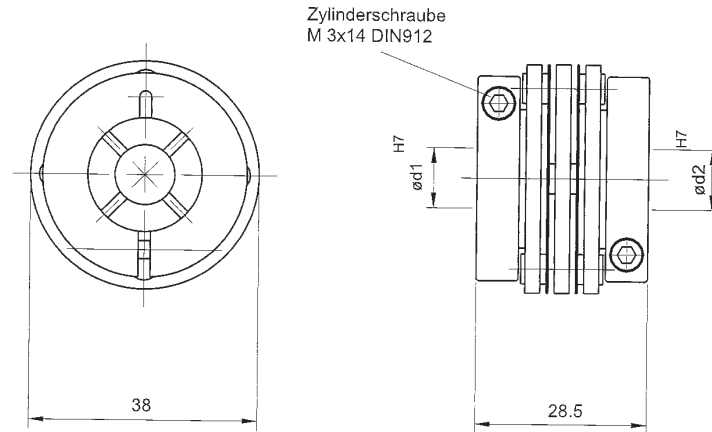


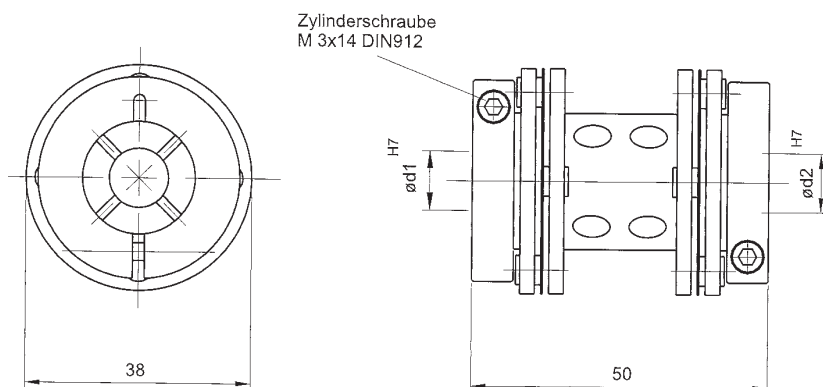
Spring disc couplings



technical data		RS GEL 100S	RS GEL 500S
max. speed	min ⁻¹	45.000	45.000
max. torque	Ncm	220	220
max. offset of shafts			
radial	mm	± 0,7	± 0,7
axial	mm	± 0,8	± 0,8
angular	degree	± 1,5	± 1,5
torsion spring stiffness	Nm/rad	2481,5	2481,5
radial spring stiffness	N/mm	260	4,6
moment of inertia	gcm ²	112	135
max. clamping torque	Ncm	60	60
weight approx.	g	60	70
material	aluminium anodised		
spring disc	bronze		



$\varnothing d$	$\varnothing d1$	Order number
6	6	RS GEL 100S 06/06
10	10	RS GEL 100S 10/10
12	12	RS GEL 100S 12/12
14	14	RS GEL 100S 14/14



$\varnothing d$	$\varnothing d1$	Order number
6	6	RS GEL 500S 06/06
10	10	RS GEL 500S 10/10
10	12	RS GEL 500S 10/12
10	14	RS GEL 500S 10/14
12	12	RS GEL 500S 12/12
14	14	RS GEL 500S 14/14