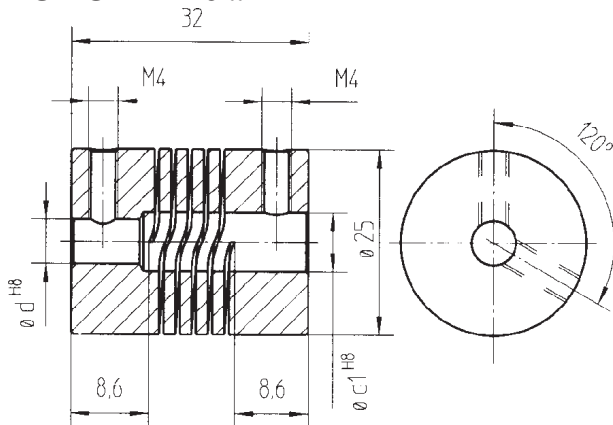


helix couplings

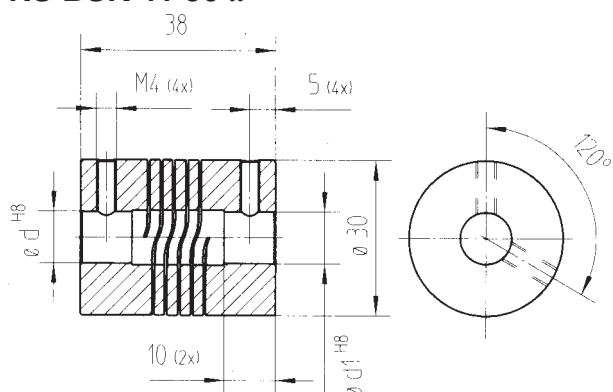
technical data		RS BSK 4116	RS BSK 4130
max. speed	U/min	8000	8000
max. torque	Ncm	100	150
max. radial offset	mm	± 0,3	± 0,3
max. angular offset	Nm / rad	± 4	± 4
max. axial offset	N / mm	± 0,5	± 0,5
torsion spring stiffness	g cm ²	18	21
radial spring stiffness	Ncm	50	60
moment of inertia	g	30	76
max. clamping torque	Ncm	120	120
weight approx.	g	35	58
material	AL CU Mg Pb chromised		

RS BSK 41 16 ..



Ø d	Ø d1	Order number
10	12	RS BSK 41 16 90
10	10	RS BSK 41 16 60
8	10	RS BSK 41 16 42
8	8	RS BSK 41 16 40
6	10	RS BSK 41 16 15
6	8	RS BSK 41 16 13
6	6	RS BSK 41 16 10

RS BSK 41 30 ..



Ø d	Ø d1	Order number
14	14	RS BSK 41 30 60
12	14	RS BSK 41 30 33
12	12	RS BSK 41 30 30
10	14	RS BSK 41 30 15
10	12	RS BSK 41 30 12
10	11	RS BSK 41 30 11
10	10	RS BSK 41 30 10