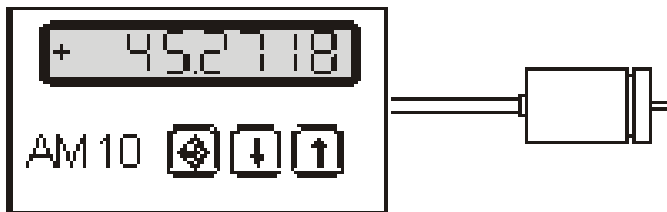
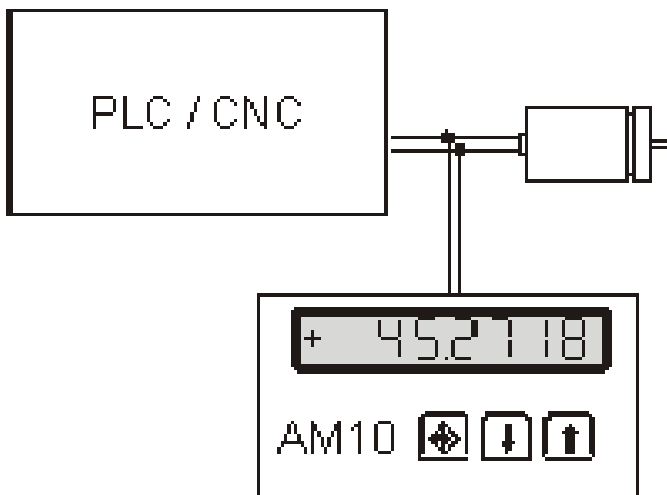


Displaymodule RS AM10

Direct connection



Parallel connection



for incremental encoders
for SSI encoders
for ultrasonic encoders

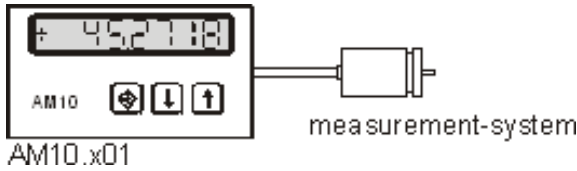
- Wide display range (7 1/2 digits)
- Easy legible LED display (red, 14mm digit height)
- Scalable measurement (mm, Inch, degree, Litre)
- Adjustable number of decimal places
- Adjustable zero point and counting direction
- 10...32 V DC supply voltage
- 2 multifunction digital inputs - alternative functions:
 - External zero-setting (relatively, absolutely)
 - Freeze display
 - Display minimal/maximal value
 - Enable keyboard
- 2 programmable relay outputs, each with a max. load of 1 A (250 VAC) or 2 A (24 VDC), possible functions:
 - Limit switch /comparator
 - Cam
 - Two-position-controller



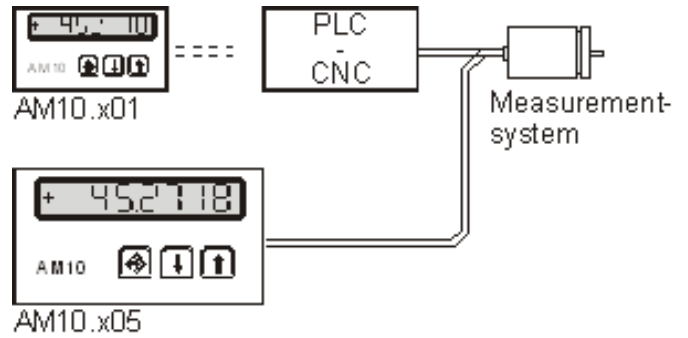
Dimensions and cut-out according to DIN 43700:
 - Dimensions: 144 x 72 x 111 mm (W xH xD)
 - Mounting cut-out: 68 (+0,7) x 138 (+1,0) mm

Possible connections: direct or parallel

Direct connection
to various measurement-systems

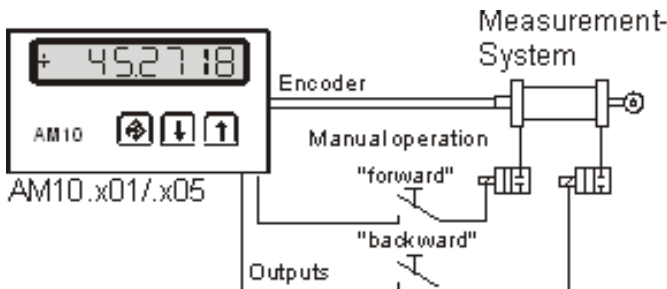


Parallel connection
to other equipment like AM 10 or PLC / CNC

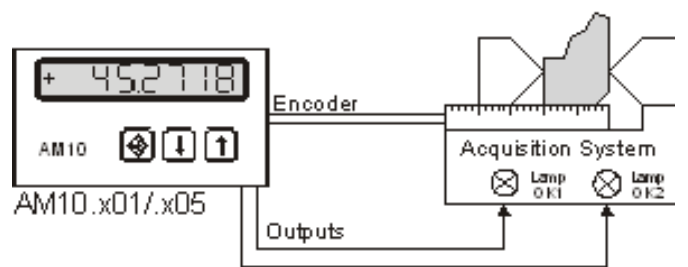


Application examples

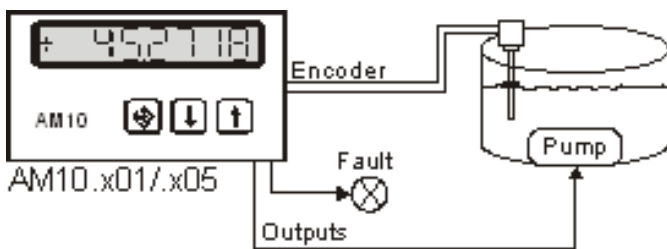
Display with range-limiting function
outputs with limit-switch function



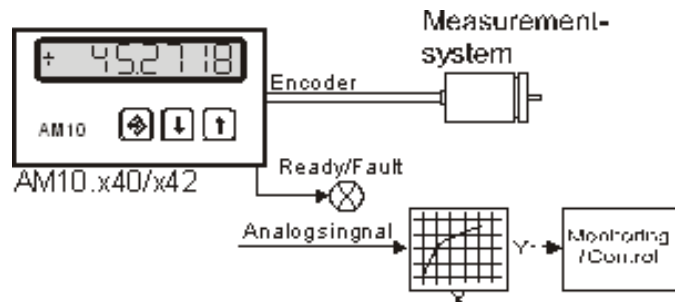
Measurement with tolerance monitoring
outputs with cam-function



Level control with range monitoring
outputs with cam and two-position controller



Interfacing analogous systems
with optional 16 Bit analog output



Order data

- RS AM10.101 for incremental encoders, for direct as well as parallel connection
- RS AM10.201 for SSI absolute encoders (direct connection only)
- RS AM10.205 like RS AM10.201, for direct or parallel connection (adjustable)
- RS AM10.401 for ultrasonic encoders (direct connection only)
- RS AM10.405 like RS AM10.401, for direct or parallel connection (adjustable)

Options

- RS AM10.xx6 4 Transistor-outputs (+24 V, high-side switch)
- RS AM10.xx7 like RS AM10.xx6, for direct or parallel connection (adjustable)
- RS AM10.x1x Delivers the displayed value to an RS232-Interface
- RS AM10.x40 with 16 Bit analog output (selectable 0-10 V, 0-20 mA, 4-20 mA), supply voltage 24 VDC +/-20% required, with a „ready“-relay output, response of output can be defined freely within two points.

- RS AM10.x42 like RS AM10.x40, for direct or parallel connection (adjustable)
 - RS AM10.x50 like RS AM10.x40, with RS232-Interface
 - RS AM10.x52 like RS AM10.x42, with RS232-Interface
- Further options on request

Accessories (Samples)

- RS AM10.xxx.2 Tabletop enclosure with integrated power supply (110 VAC/+24 VDC) and cord
- RS 652.01014-0 Wall-plug (US-style), 110 VAC/+24 VDC, 0,5 A

RS Messsystem Incremental-, SSI- and Ultrasonic/Magnetic measurement-systems on request.